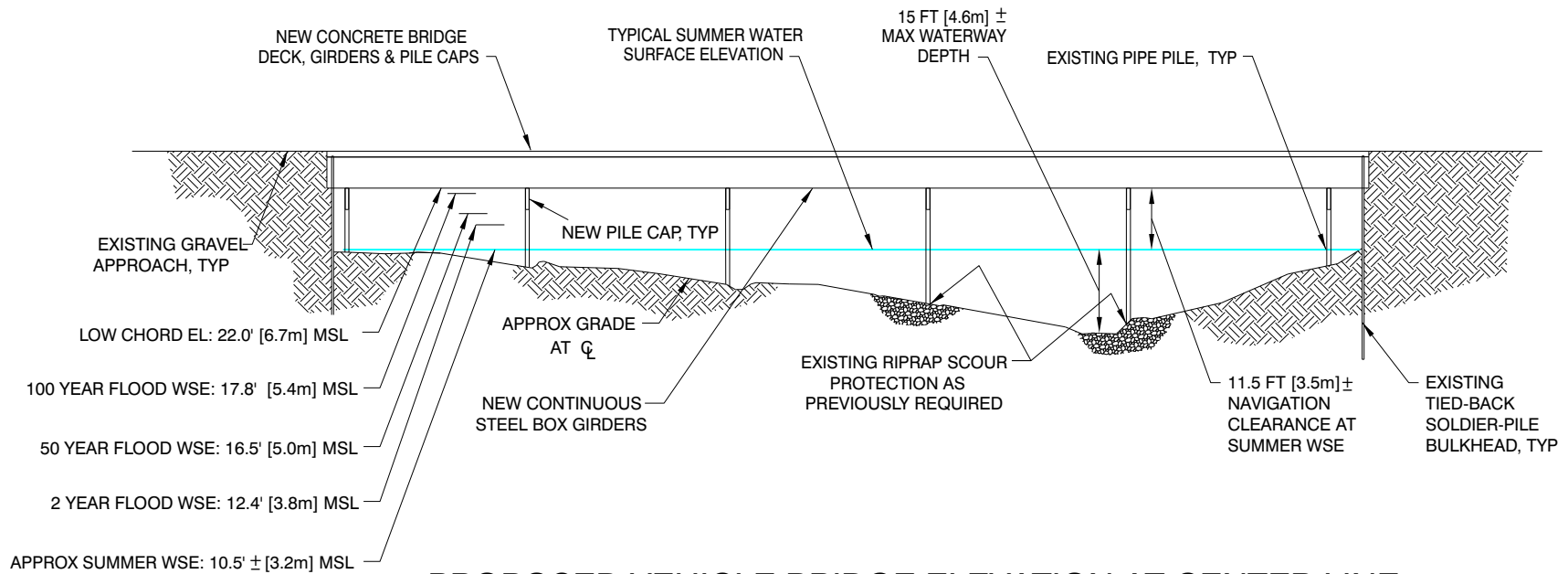


WEST

EAST



PROPOSED VEHICLE BRIDGE ELEVATION AT CENTER LINE

SCALE 1H:5V

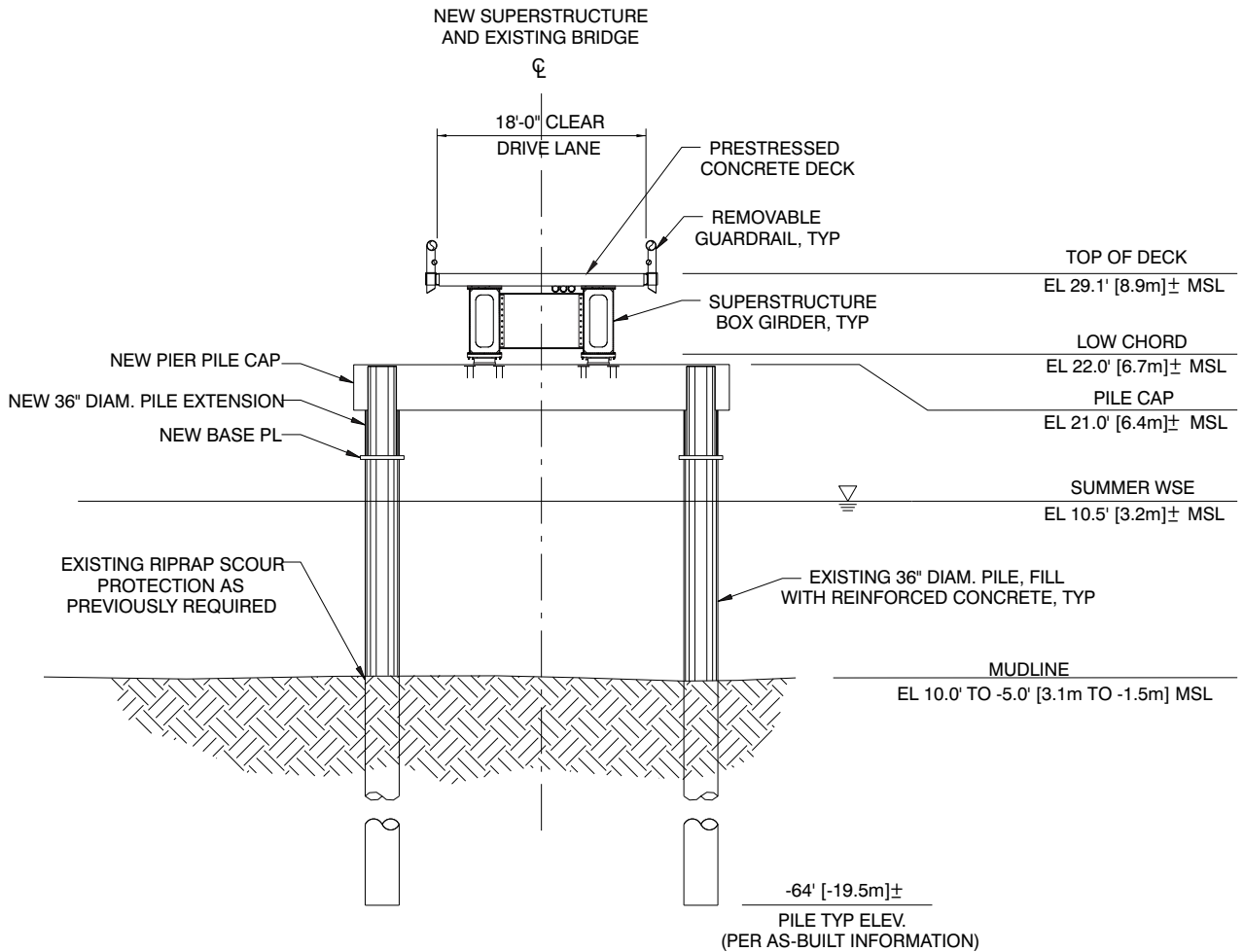
BP EXPLORATION (ALASKA) INC.

**LIBERTY DEVELOPMENT PROJECT
PROPOSED SAGAVANIRKTOK RIVER
BRIDGE UPGRADE
ELEVATION**

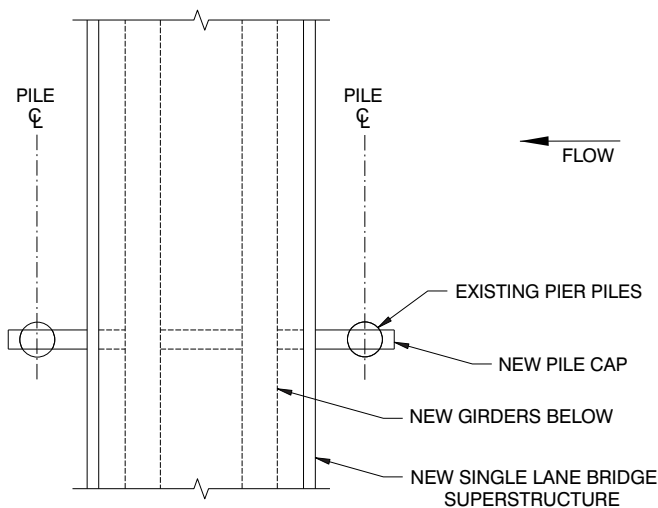
DATE:
October 2007

SCALE:
NOT TO SCALE

FIGURE:
9 - 3



ELEVATION



PLAN

<p>BP EXPLORATION (ALASKA) INC.</p> <p>LIBERTY DEVELOPMENT PROJECT</p> <p>PROPOSED SAGAVANIRKTOK RIVER</p> <p>BRIDGE UPGRADE</p> <p>PIER PLAN AND ELEVATION</p>		
<p>DATE: October 2007</p>	<p>SCALE: NOT TO SCALE</p>	<p>FIGURE: 9 - 4</p>